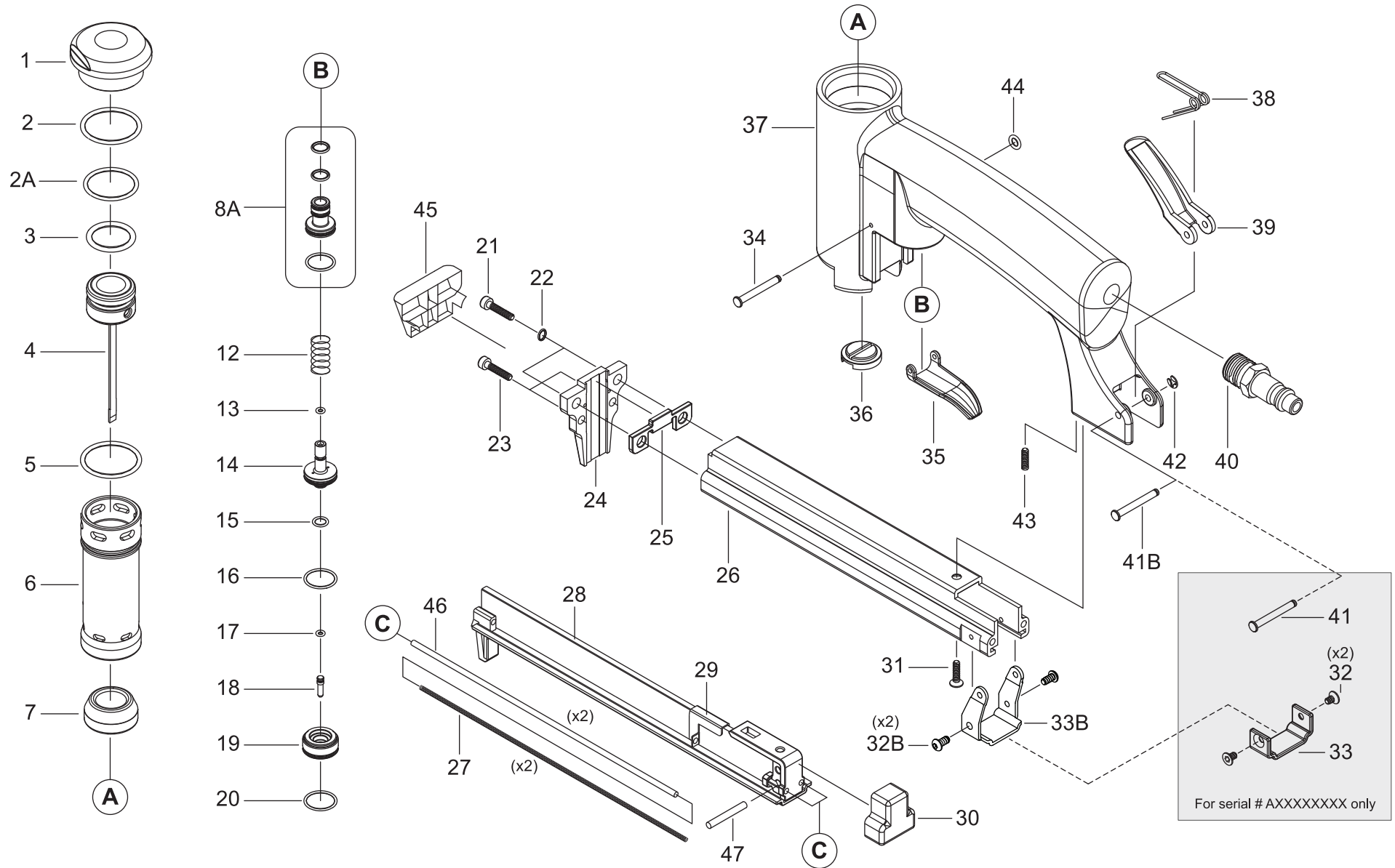


Grex 2116AD

21 Gauge 3/16" Crown Stapler

EXPLODED DIAGRAM



Grex 2116AD

21 Gauge 3/16" Crown Stapler

PARTS LIST

No.	Part No.	Description
1	23572	Head Cap Hammer
2	96100	O-Ring (Head Cap / Cylinder)
2A	96138	O-Ring
3	96101	O-Ring (Driver Piston)
4	23565	Piston Ram Assembly (2116AD)
5	96100	O-Ring (Head Cap / Cylinder)
6	23503	Cylinder (AD Series)
7	23504	Bumper
8A	23563	Trigger Valve A Assembly
12	23506	Trigger Valve Spring
13	96104	O-Ring C (Trigger Valve)
14	23508	Trigger Valve B (AD Series)
15	96105	O-Ring D (Trigger Valve) AD Series
16	96106	O-Ring E (Trigger Valve) AD Series
17	96107	O-Ring F (Trigger Valve)
18	23509	Trigger Valve Stem (AD Series)
19	23510	Triger Valve Guide (AD Series)
20	96106	O-Ring E (Trigger Valve)
21	99039	Hex. Soc. Head Screw
22	97002	Spring Washer
23	99026	Hex. Soc. Head Screw
24	23566	Nose (2116AD)
25	23564	Nose Plate (For all 50, A11 & 2116)
26	23567	Magazine Cover

No.	Part No.	Description
27	23570	Pusher Spring
28	23568	Magazine (2116AD)
29	23569	Pusher (2116AD)
30	23518	Rear Magazine Bumper
31	91010	Hex. Soc. Flat Head Screw
32	91004	Hex. Soc. Flat Head Screw
32B	88007	Hex. Soc. Screw
33	23523	Magazine Retainer
33B	23588	Magazine Retainer
34	23519	Pin (Trigger)
35	23524	Trigger
36	23525	Seal
37	23527	Gun Body (AD Series)
38	23528	Magazine Latch Spring
39	23529	Magazine Latch
40	94001	Coupling Plug
41	23530	Pin (Magazine Latch)
41B	23587	Pin (Magazine Latch)
42	95001	E-Ring
43	90009	Screw
44	96110	O-Ring
45	23561	Nose Cover
46	23571	Pusher Spring Rod
47	93000	Spring Pin